

D

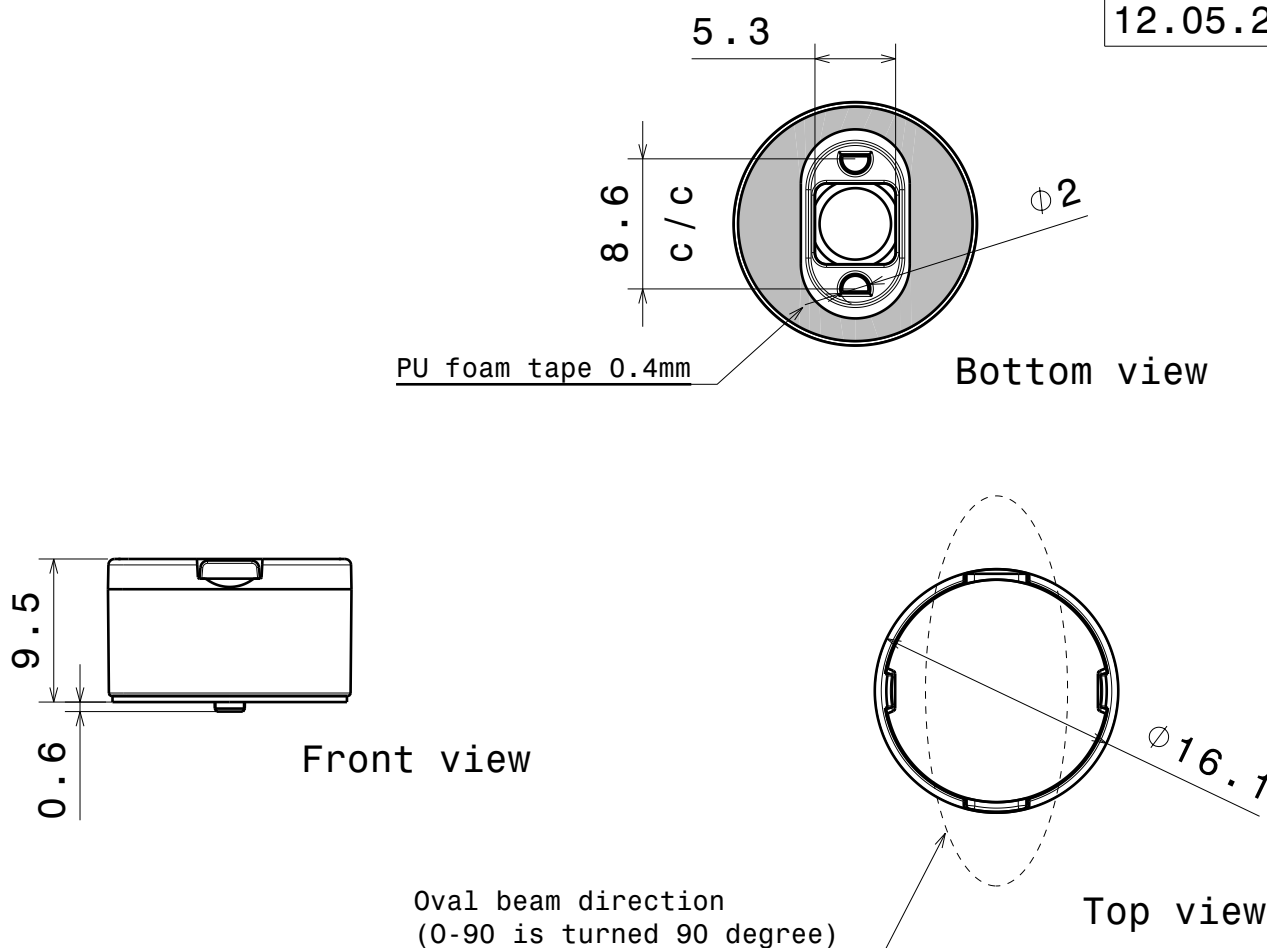
C

B

A

DATE

12.05.2026



| PART | TYPE | MATERIAL | COLOR / COATING |
|---|--------|----------|-----------------|
| TINA2-XP lenses C11004_TINA2-RS C11417_TINA2-XP-D C12336_TINA2-SS C11005_TINA2-XP-M C11914_TINA2-W-XP C11050_TINA2-XP-O C15060_TINA2-O-WAS | LENS | PMMA | Clear |
| C12372_TINA2-HLD-BLK | HOLDER | PC | Black |
| C14480_TINA-TAPE3 | TAPE | | |

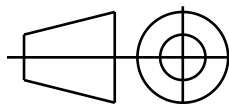
MECHANICAL DRAWING

PRODUCT

TINA2**LEDiL**®

Plastic moulding general tolerances according to DIN 16901-130 and applies if not otherwise shown in the drawing.
Silicone moulding general tolerances according to ISO 3302-1 Class M3 and applies if not otherwise shown in the drawing.

FIRST ANGLE PROJECTION:



This drawing is the property of LEDiL Oy. It may not be copied or otherwise distributed without prior written permission from LEDiL Oy.

SCALE

1:1

WEIGHT

-

A4

SHEET 1/1

D

A